

ST-Blade Common Source Fuse Blocks

Common Source

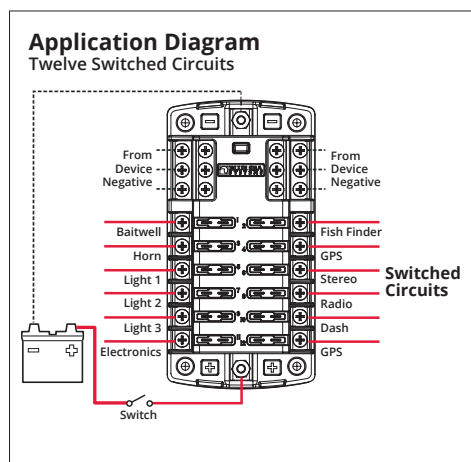
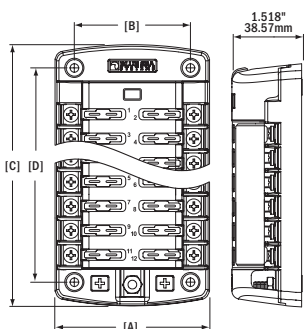
Consolidates branch circuits and in-line fuses

- Common source fuse block
- Screw terminals for securing wires accept ring terminals
- One-piece stainless flange nuts ensure safe and secure connections
- Clear insulating cover with label recesses and storage for two fuses, satisfies ABYC/USCG insulation requirements
- Easy to open, push button latch for easy access to fuses
- Tin-plated copper buses and fuse clips
- Fuse blocks with covers include 20 write-on circuit labels small format standard and custom labels available
- Fuses sold separately (p. 53)

Voltage Max. Operating	32V DC
Amperage Max. Operating	30A per circuit
Amperage Max. Operating	100A per block
Fuse Type	ATO or ATC Fuses
Screw Terminal	#8-32 Screws with captive star lock washer
Mounting	#8 Screw (M4)

PN	Circuits	Cover	Negative Bus	Positive Bus	[A] Width in (mm)	[B] Mounting Centers in (mm)	[C] Height in (mm)	[D] Mounting Centers in (mm)
5025	6	Yes	#10-32 stud	#10-32 stud	3.32 (84.20)	2.50 (63.50)	4.89 (124.31)	3.88 (95.58)
5028	6	Yes	--	#10-32 stud	3.32 (84.20)	2.50 (63.50)	3.65 (92.76)	2.64 (67.03)
5030	6	--	#10-32 stud	#10-32 stud	3.32 (84.20)	2.50 (63.50)	4.89 (124.31)	3.88 (95.58)
5033	6	--	--	#10-32 stud	3.32 (84.20)	2.50 (63.50)	3.65 (92.76)	2.64 (67.03)
5026	12	Yes	#10-32 stud	#10-32 stud	3.32 (84.20)	2.50 (63.50)	6.47 (164.39)	5.46 (138.66)
5029	12	Yes	--	#10-32 stud	3.32 (84.20)	2.50 (63.50)	5.23 (132.84)	4.22 (107.11)
5031	12	--	#10-32 stud	#10-32 stud	3.32 (84.20)	2.50 (63.50)	6.47 (164.39)	5.46 (138.66)
5034	12	--	--	#10-32 stud	3.32 (84.20)	2.50 (63.50)	5.23 (132.84)	4.22 (107.11)

For the full list of specifications see page 69



5028 with cover
5033 without cover



5025 with cover
5030 without cover



5029 with cover
5034 without cover



5026 with cover
5031 without cover

Related Products



ATO or ATC Fuses
p. 53



easyID ATC Fuses
p. 53



WeatherDeck Switch Only
p. 111