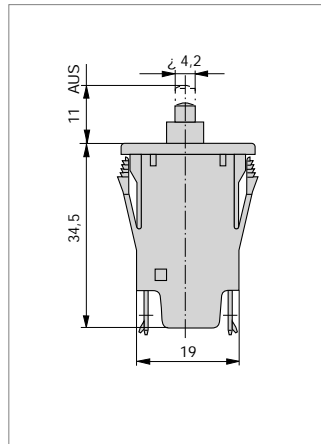


E-TA 1140-F114-P1-M1

Single pole thermal circuit breaker with push-to-reset, failsafe, trip-free (EN 60934). Snap-in type. Cut out measurement: 22 x 11.3 mm. Rated voltage DC 48 V, AC 240 V. Current ratings 4...16 A

Circuit breakers available ex stock

- E-TA 1140-F114-P1-M1-4A Order No.: 1 1140 0004
- E-TA 1140-F114-P1-M1-6A Order No.: 1 1140 0006
- E-TA 1140-F114-P1-M1-8A Order No.: 1 1140 0008
- E-TA 1140-F114-P1-M1-10A Order No.: 1 1140 0010
- E-TA 1140-F114-P1-M1-12A Order No.: 1 1140 0012
- E-TA 1140-F114-P1-M1-16A Order No.: 1 1140 0016



LED 3 mm

Lamp diodes with minimal power consumption of 6 mA (12V) and 12mA (24V). Connectable directly to 12/24V (DC 30V). Fitting hole: ϕ 4,2 mm

- LED 3 mm, red Order No.: 7 0000 3050
- LED 3 mm, yellow Order No.: 7 0000 3051
- LED 3 mm, green Order No.: 7 0000 3052



LED 5 mm

Lamp diodes with minimal power consumption of 4 mA (12 V) / 8 mA (24 V). Connectable directly to 12/24V (DC 30V). Fitting hole: ϕ 6,2 mm

- LED 5 mm, red Order No.: 6 0005 0600
- LED 5 mm, yellow Order No.: 6 0005 0610
- LED 5 mm, green Order No.: 6 0005 0620



LED 10 mm

Lamp diodes with minimal power consumption of 7 mA. (12V) / 16 mA (24V). Connectable directly to 12/24V (DC 30V). Fitting hole: ϕ 10 mm

- LED 10 mm, red Order No.: 6 0005 1000
- LED 10 mm, yellow Order No.: 6 0005 1010
- LED 10 mm, green Order No.: 6 0005 1020



LED AC 230 V

Lamp diodes for AC 230V/50Hz.
SL 9: Fitting hole ϕ : 8 mm. Cable length 20 cm.
LED 10: hole- ϕ : 10 mm. connector 2,8 mm.

- SL 9 red (AC 230 V) Order No.: 6 0009 0557
- LED 10 mm, AC red Order No.: 6 0009 0028
- LED 10 mm, AC yell. Order No.: 6 0009 0128



- ZSD Order No.: 6 0018 0027

Starter lock (0 - Ignition - Start) for combustion engines with 2 keys mit 2 Schlüsseln.
Depth 59 mm, hole- ϕ 18 mm



- DT 12/24 L sw Order No.: 7 6014 8480
- DT 12/24 L rt Order No.: 7 6014 8481

Splash-proof pushbutton with long threaded shaft, dimensions 72 x ϕ 28 mm, assembly hole ϕ 14 mm, max. wall thickness 12 mm. Current carrying capacity 30 A. Degree of protection IP55.



- DT 12/24 K sw Order No.: 7 6014 8600
- DT 12/24 K rt Order No.: 7 6014 8601

Splash-proof pushbutton with short threaded shaft, dimensions 47 x ϕ 27 mm, assembly hole ϕ 22 mm, max. wall thickness 6 mm. Current carrying capacity 20 A. Degree of protection IP55.