

Stainless steel laquered



This BERKER series of plugs and sockets are especially made for use on board vessels and vehicles. They differ to the technical house wiring by means of small assembly dimensions. A protective cover on the rear of the sockets cause them to be voltage free and flame proof. Easy installation with four screws. All items are available in the colours black, white, brown, chrome glossy

and matt. Covering frames up to three units are available for combinations.

Colours available for sockets and switches on stock:



black (anthracite)

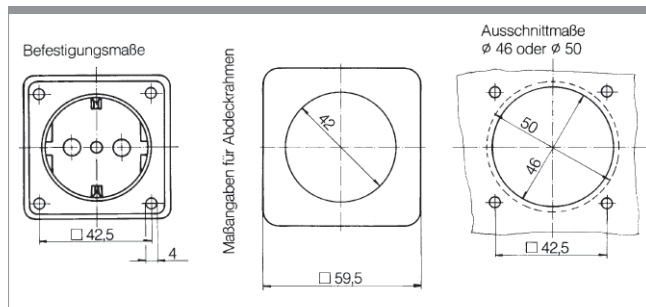
white



brown

chromw glossy/matt

Dimensions



This dimmer for halogen lamps series ZHD, are especially designed to use on board with DC 12/24 V supply and have the best technology in pulse width control system in the time. An efficient electronic has a small dissipation (< 1 W). A current limiter protects the output from an excess load and a short. The dimmer matches to the size of switches and sockets.



- ZHD 24-240 white Order-No.: 3 5002 2000
- ZHD 24-240 brown Order-No.: 3 5002 2010
- ZHD 24-240 black Order-No.: 3 5002 2020

Rated voltage DC 10-30 V
Current positive controlled, max. 10 A

Measurements Dimensions W 59,5 x H 59,5 mm
Depth 37 mm
Fitting hole Ø 46 mm

Cigarette lighter socket without cover

Rated voltage 12 V / 24 V, flat terminals 6,3 mm,

- ZDoD 12/24 brown Order-No.: 6 0945 7151
- ZDoD 12/24 white Order-No.: 6 0945 7159
- ZDoD 12/24 black Order-No.: 6 0945 7155



Cigarette lighter socket for extra low voltage

Rated voltage 12 V / 24 V, connection at the rear side via flat terminals 6,3 mm, fitting depth 59 mm.

- ZD 12/24 black Order-No.: 6 0945 7055



TV-Socket

Solder terminal

- TV brown Order-No.: 6 0945 1111
- TV white Order-No.: 6 0945 1112
- TV black Order-No.: 6 0945 1115



Socket for extra-low voltage

Rated voltage 12 V / 24 V, max. 16A.

Flat terminals 6,3 mm, fitting Depth 54 mm

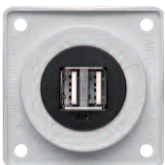
- KD 12/24 brown Order-No.: 6 0495 1751
- KD 12/24 white Order-No.: 6 0495 1759
- KD 12/24 black Order-No.: 6 0495 1755



USB Double charging socket (5 V / 2x 2,1 A)

Für DC 8-32 V

- USB 12/24 brown Order-No.: 6 0945 2601
- USB 12/24 white Order-No.: 6 0945 2609
- USB 12/24 black Order-No.: 6 0945 2605



Socket, connector for satellite receiver (F)

- FD coax brown Order-No.: 6 0945 1951
- FD coax white Order-No.: 6 0945 1959
- FD coax black Order-No.: 6 0945 1955

