

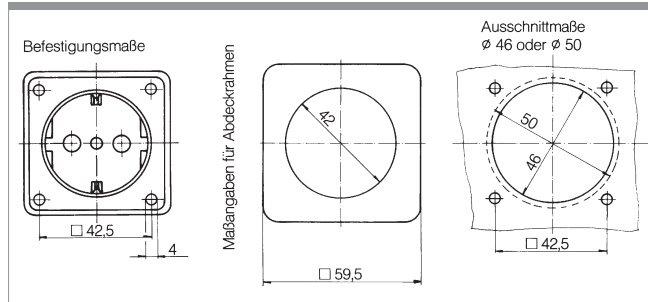
This series of plugs and sockets are especially made for use on board vessels and vehicles. They differ to the technical house wiring by means of small assembly dimensions. A protective cover on the rear of the sockets cause them to be voltage free and flame proof. Easy installation with four screws. All items are available in the colours black, white, brown, chrome

and gold brightness. Covering frames up to three units are available for combinations.

Colours available for sockets and switches on stock:



**Dimensions**



This dimmer for halogen lamps series ZHD, are especially designed to use on board with DC 12/24 V supply and have the best technology in pulse width control system in the time. An efficient electronic has a

small dissipation (< 1 W). A current limiter protects the output from an excess load and a short. The dimmer matches to the size of switches and sockets on page 85.

- ZHD 12-70 white ..... Order-No.: 3 5002 1000
- ZHD 12-70 brown ..... Order-No.: 3 5002 1010
- ZHD 12-70 black ..... Order-No.: 3 5002 1020
- ZHD 12-70 chrome brightness ..... Order-No.: 3 5002 1018
- ZHD 12-70 gold brightness ..... Order-No.: 3 5002 1038

Rated voltage DC 10-14,5 V  
Current negative controlled, max. 5,5 A

- ZHD 24-240 white ..... Order-No.: 3 5002 2000
- ZHD 24-240 brown ..... Order-No.: 3 5002 2010
- ZHD 24-240 black ..... Order-No.: 3 5002 2020
- ZHD 24-240 chrome brightness ..... Order-No.: 3 5002 2018
- ZHD 24-240 gold brightness ..... Order-No.: 3 5002 2038

Rated voltage DC 10-30 V  
Current positive controlled, max. 10 A



**Measurements**    **Dimensions** ..... W 59,5 x H 59,5 mm  
**Depth** ..... 37 mm  
**Fitting hole** ..... ø 46 mm

**Mounting panel for audio/video/computer**

Mounting panel for 2 MINI-COM moduls

- **TMJ black** ..... Order-No.: 6 0945 5905
- **TMJ white** ..... Order-No.: 6 0945 5909



**Cigarette lighter socket for extra low voltage**

Rated voltage 12 V or 24 V, Flat terminals 6,3 mm  
Fitting depth 58 mm.

- **ZD 12/24 black** ..... Order-No.: 6 0945 7055



**Audio/Video/Computer modules**

- **Chinch audio wh/rd** ..... Order-No.: 6 0900 1989
- **Chinch video ye** ..... Order-No.: 6 0900 1992
- **VGA** ..... Order-No.: 6 0900 1994
- **RJ45, Kat. 6** ..... Order-No.: 6 0900 1985
- **Blind module** ..... Order-No.: 6 0900 1990



**Socket for extra-low voltage**

Rated voltage 12 V or 24 V. Flat terminals 6,3 mm  
Fitting Depth 54 mm

- **KD 12/24 brown** ..... Order-No.: 6 0495 1751
- **KD 12/24 white** ..... Order-No.: 6 0495 1759
- **KD 12/24 black** ..... Order-No.: 6 0495 1755



**Socket for charging USB-devices (5V, 1A output)**

- **USB white 12 V** ..... Order-No.: 6 0945 2609
- **USB black 12 V** ..... Order-No.: 6 0945 2605



**Socket, connector for satellite receiver (F)**

- **FD coaxial brown** ..... Order-No.: 6 0945 1951
- **FD coaxial white** ..... Order-No.: 6 0945 1959
- **FD coaxial black** ..... Order-No.: 6 0945 1955



**Socket - German standard**

16 A/250 V, threaded terminal end, protective cover  
Insert socket  $\varnothing$  46 mm. Fitting depth 36 mm

- ND 230 brown Order-No.: 6 0941 8551
- ND 230 white Order-No.: 6 0941 8552
- ND 230 black Order-No.: 6 0941 8555



**Socket - Swiss standard**

10 A/250 V, threaded terminal end, protective cover.  
insert socket  $\varnothing$  49 mm. Fitting depth 46 mm.

- ND 230 CH brown Order-No.: 6 0962 4951
- ND 230 CH white Order-No.: 6 0962 4952
- ND 230 CH black Order-No.: 6 0962 4955



**Socket - French standard**

16 A/250 V, threaded terminal end, protective cover.  
Insert socket  $\varnothing$  49 mm. Fitting depth 46 mm.

- ND 230 F brown Order-No.: 6 0961 8551
- ND 230 F white Order-No.: 6 0961 8582
- ND 230 F black Order-No.: 6 0961 8555



**Rocker switch - universal selective switch**

16 A/250 V, threaded terminal end. Fitting depth 10 mm.

- ES 230 W brown Order-No.: 6 0936 5651
- ES 230 W white Order-No.: 6 0936 5659
- ES 230 W black Order-No.: 6 0936 5655
- ES 230 W chrome matt Order-No.: 6 0936 5628
- ES 230 W chrome bright Order-No.: 6 0936 5618
- ES 230 W gold bright Order-No.: 6 0936 5638



**Button, N/O**

16 A/250 V, threaded terminal end. Fitting depth 10 mm.

- ES 230 T brown Order-No.: 6 0936 7151
- ES 230 T white Order-No.: 6 0936 7159
- ES 230 T black Order-No.: 6 0936 7155
- ES 230 T chrome matt Order-No.: 6 0936 7128
- ES 230 T chrome bright Order-No.: 6 0936 7118
- ES 230 T gold bright Order-No.: 6 0936 7138



**Double rocker switch**

16 A/250 V, threaded terminal end. Fitting depth 10 mm.

- ES 230 S brown Order-No.: 6 0936 5551
- ES 230 S white Order-No.: 6 0936 5559
- ES 230 S black Order-No.: 6 0936 5555
- ES 230 S chrome matt Order-No.: 6 0936 5528
- ES 230 S chrome bright Order-No.: 6 0936 5518
- ES 230 S gold bright Order-No.: 6 0936 5538



**Double button N/O**

16 A/250 V, threaded terminal end. Fitting depth 10 mm.

- ET 230 S brown Order-No.: 6 0936 7551
- ET 230 S white Order-No.: 6 0936 7559
- ET 230 S black Order-No.: 6 0936 7555
- ET 230 S chrome matt Order-No.: 6 0936 7528
- ET 230 S chrome bright Order-No.: 6 0936 7518
- ET 230 S gold bright Order-No.: 6 0936 7538



**Mounting panel**

Mounting panel with hinged cover for all sockets types.  
Dimensions 59,5 x 59,5 mm.

- KLD brown Order-No.: 6 0918 2851
- KLD white Order-No.: 6 0918 2859
- KLD black Order-No.: 6 0918 2855
- KLD chrome matt Order-No.: 6 0918 2828
- KLD chrome bright Order-No.: 6 0918 2818
- KLD gold bright Order-No.: 6 0918 2838



**Single mounting panel**

Single mounting panel for all sockets and switch types.  
Dimensions 59,5 x 59,5 mm

- ADR 1 brown Order-No.: 6 0918 2751
- ADR 1 white Order-No.: 6 0918 2759
- ADR 1 black Order-No.: 6 0918 2755
- ADR 1 chrome matt Order-No.: 6 0918 2728
- ADR 1 chrome bright Order-No.: 6 0918 2718
- ADR 1 gold bright Order-No.: 6 0918 2738



**Double mounting panel**

Double mounting panel for all sockets and switch types  
Dimensions 59,5 x 119 mm.

- ADR 2 brown Order-No.: 6 0918 2651
- ADR 2 white Order-No.: 6 0918 2659
- ADR 2 black Order-No.: 6 0918 2655
- ADR 2 chrome matt Order-No.: 6 0918 2628
- ADR 2 chrome bright Order-No.: 6 0918 2618
- ADR 2 gold bright Order-No.: 6 0918 2638



**Mounting panel for three items**

For all sockets and switch types.  
Dimensions 59,5 x 178,5 mm

- ADR 3 brown Order-No.: 6 0918 1951
- ADR 3 white Order-No.: 6 0918 1959
- ADR 3 black Order-No.: 6 0918 1955
- ADR 3 chrome matt Order-No.: 6 0918 1928



**Distance ring**

Height 10 mm

- DZR brown Order-No.: 6 0918 2551
- DZR white Order-No.: 6 0918 2552
- DZR black Order-No.: 6 0918 2555



**Construction unit**

- ABG brown Order-No.: 6 0911 5151
- ABG white Order-No.: 6 0911 5159
- ABG black Order-No.: 6 0911 5155

