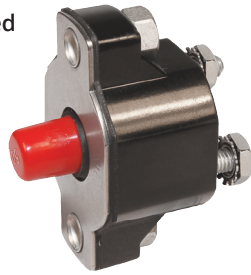


Medium Duty Push Button Reset-Only Circuit Breakers

Provides circuit protection for 15 to 60 Amp loads when switching is provided elsewhere or not required

- Weatherproof
- Can be used as Main or Branch
- Push-to-reset operation
- Trip Free design cannot be held ON during fault current condition
- Captive star lock washers meet requirements for anti-rotation and eliminate handling of small, easily dropped parts



Interrupting Capacity	5,000A @ 32V DC 3,000A @ 120V AC
Voltage Max. Operating	32V DC / 120V AC
Temperature Min. Operating	-54°C
Temperature Max. Operating	74°C
Type	Thermal trip, manual reset
Terminal Stud	#10-32 Stainless Steel
Terminal Stud Torque	30 in-lb max.
Trip Time Delay	See blueseasea.com
Mounting Thread	#8 -32

Regulatory

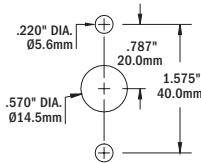
SAE J1428, SAE J553, UL 1077

Meets UL 1500 external ignition protection requirements

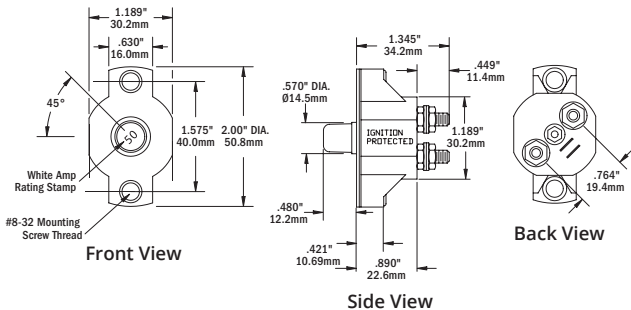
IGNITION PROTECTED

See p. 162 for ABYC Interrupting Capacity Requirements.

PN	Amps
2138	15A DC
2139	20A DC
2140	30A DC
2141	40A DC
2142	50A DC
2143	60A DC



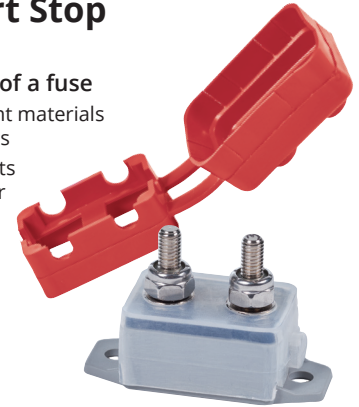
Cutout Dimensions



Marine Grade Short Stop Circuit Breakers

Use a circuit breaker instead of a fuse

- Designed with corrosion resistant materials to withstand harsh environments
- IP64 water resistant boot protects against dust and splashing water
- Push-to-reset operation only disconnects when tripped
- Stainless steel nyloc nuts for secure connections
- Red insulating boot included in retail package only



Interrupting Capacity	2,500A @ 28V DC
Voltage Max. Operating	28V DC
Temperature Min. Operating	-10°C
Temperature Max. Operating	60°C
Type	Thermal trip, manual reset
Terminals	#10-32" Studs
Screw Terminal Torque	24 in-lb max.
Trip Time Delay	See blueseasea.com

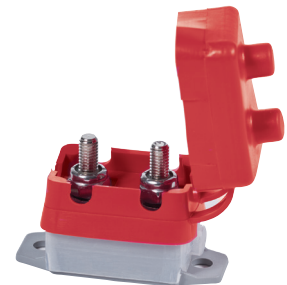
Regulatory

IP64, SAE J553, Meets SAE J1171 external ignition protection requirements

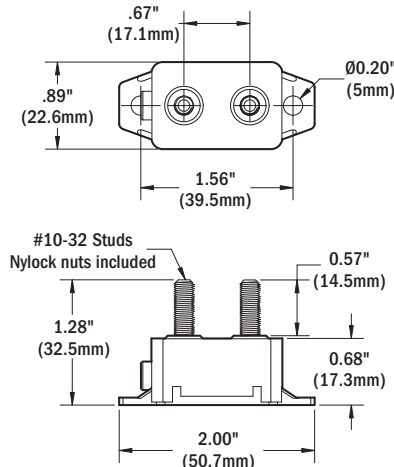
IGNITION PROTECTED

See p. 162 for ABYC Interrupting Capacity Requirements.

PN	Amps
7151	10A DC
7152	15A DC
7153	20A DC
7154	25A DC
7155	30A DC
7156	40A DC
7157	50A DC
7160	Insulating Boot



Shown with Insulating Boot



Push-Button to Reset